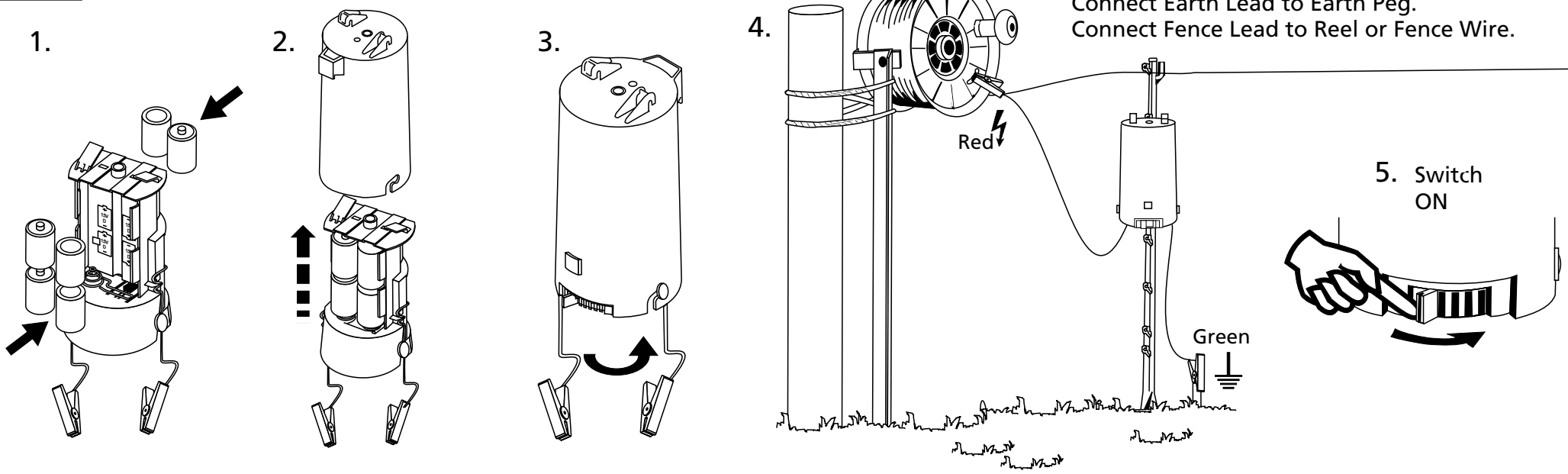


B11 6 x 1.5V "D" CELL INTERNAL BATTERIES

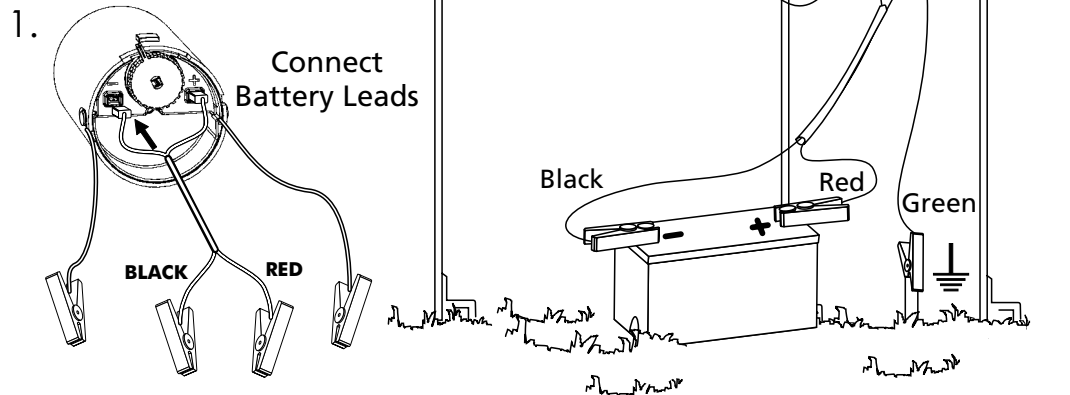


12V EXTERNAL BATTERY



WARNING

Remove Internal Batteries before connecting 12V External Battery

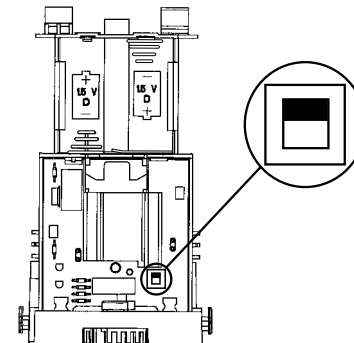


B11

3C4370-11/00

TO CHANGE BATTERY SAVE MODE

1. Switch location



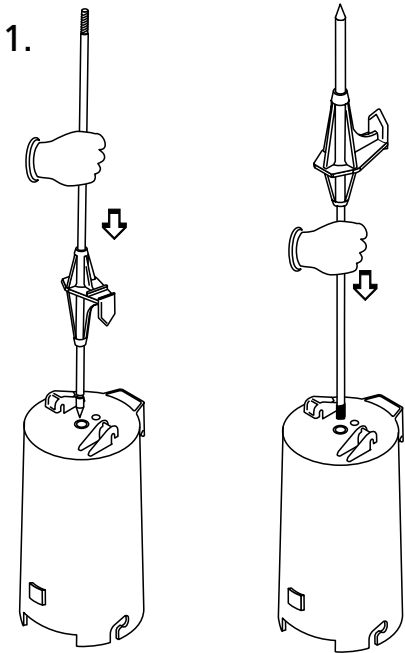
2. Switch settings

- Night Save Mode
- Day Save Mode

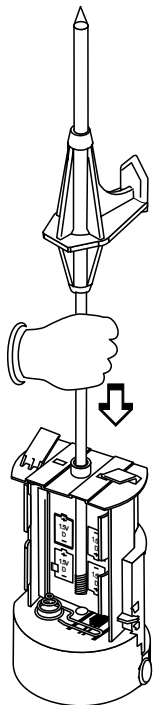
PRE-SET

B11 WITH STAND

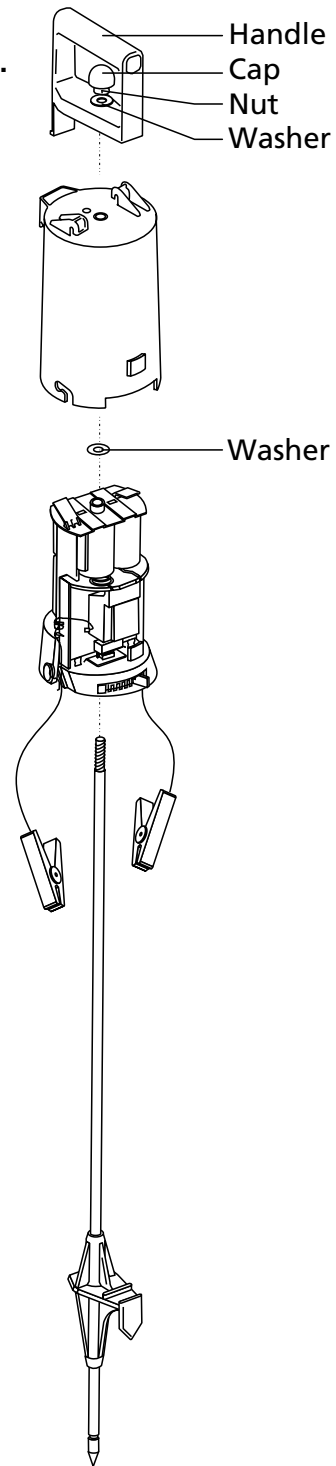
1.



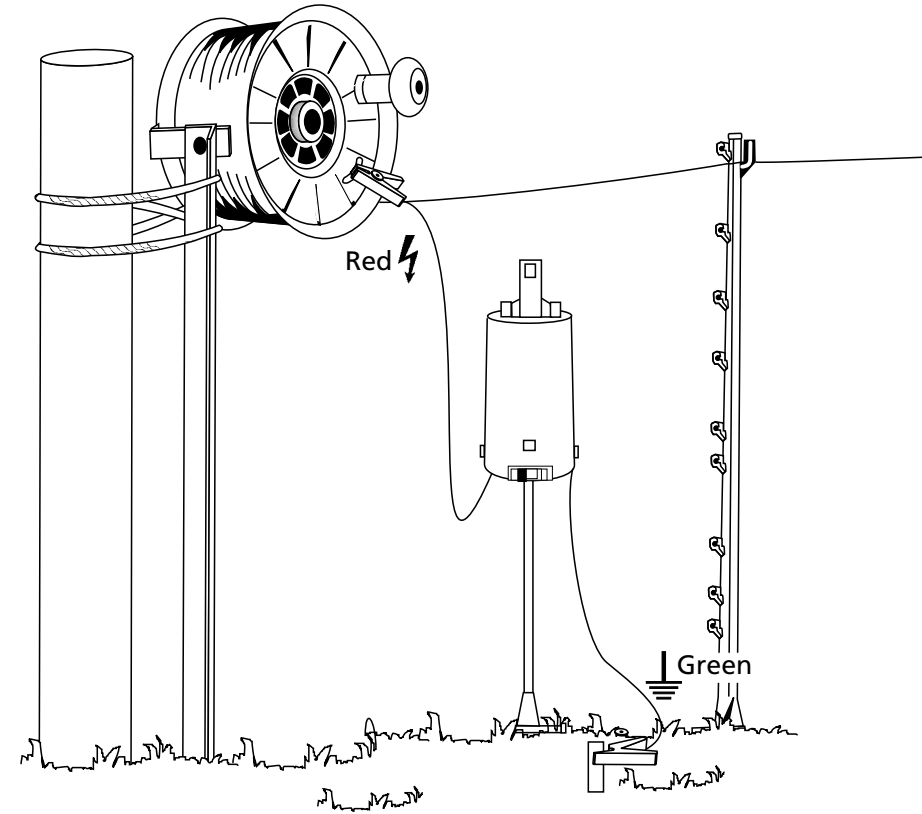
Punch out Holes



2.



3.



Connect Earth Lead to Earth Peg.
Connect Fence Lead to Reel or
Fence Wire.



B11 WITH STAND

GALLAGHER POWER FENCE™ SYSTEMS,
PRIVATE BAG 3026,
HAMILTON, NEW ZEALAND.
sales@gallagher.co.nz
www.gallagher.co.nz
MADE IN NEW ZEALAND

4. Switch
ON

